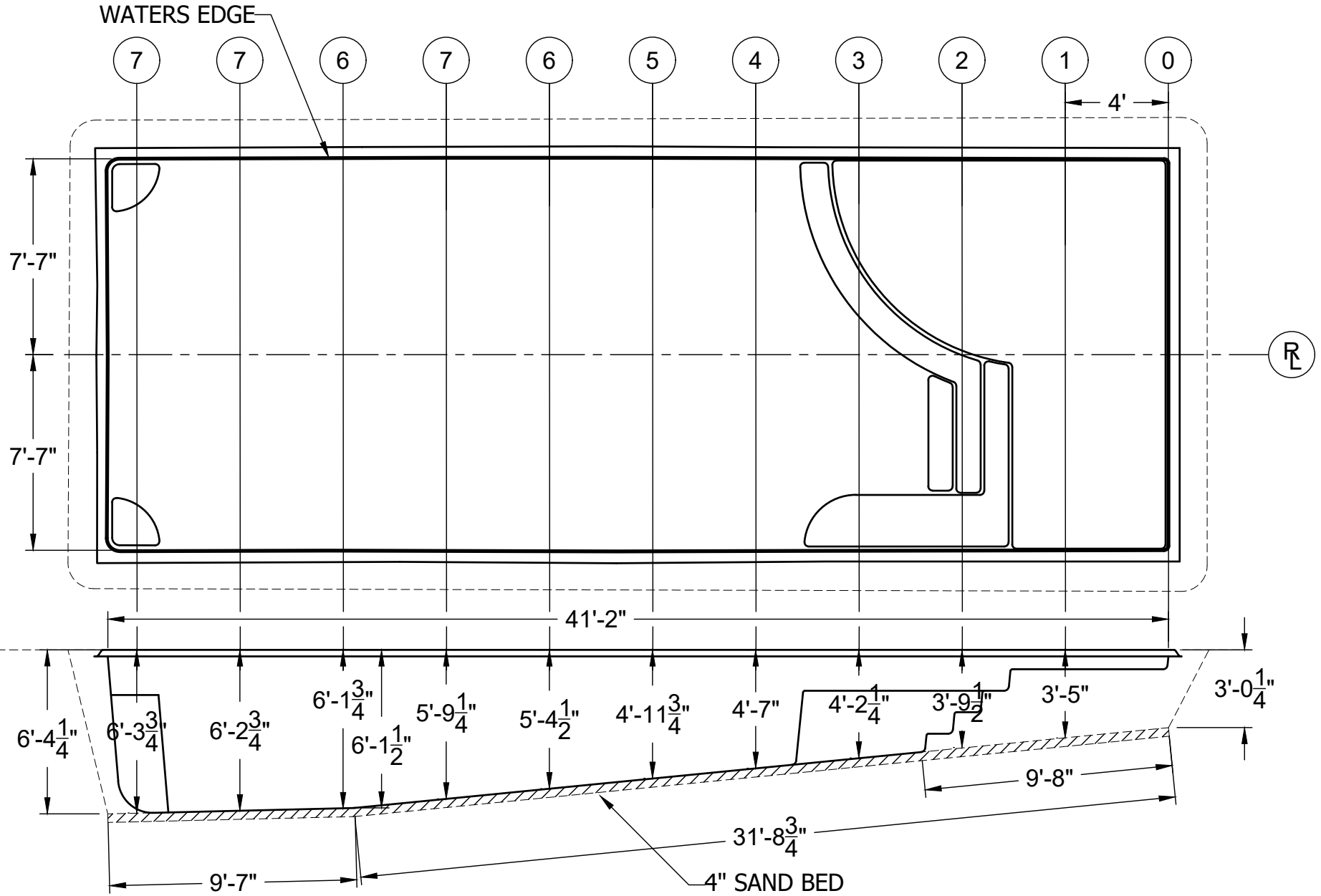


ALL MEASUREMENTS TO WATERS EDGE - ADD PREFERRED OVERDIG



GREAT LAKES BEACH - DIG PLAN

SCALE 3/16" = 1'-0"

DATE 08-02-19

DRAWN BY KLB

REVISION 01

WEIGHT: 2700 lbs
 AREA: 540 sq ft
 PERIMETER: 102 ft
 VOLUME: 14,600 gal