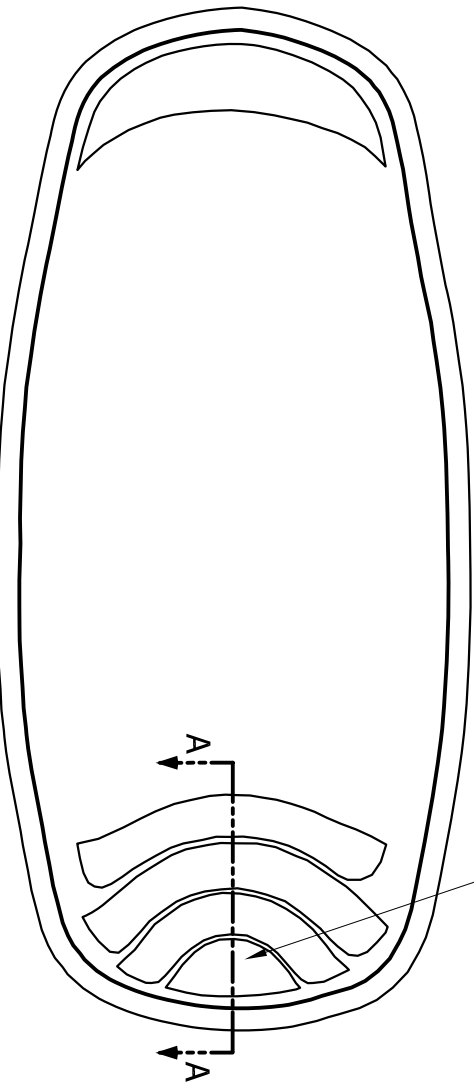
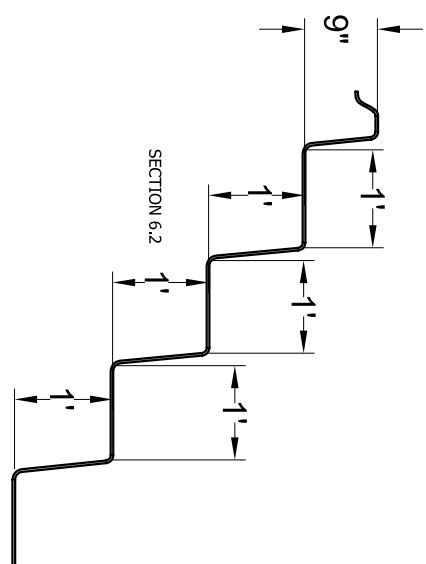


329 SQ IN TREAD SURFACE AREA
SECTION 6.2.1



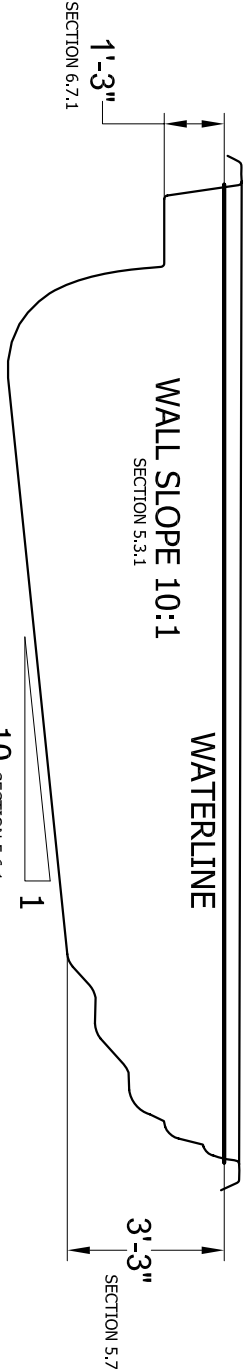
PLAN VIEW

SCALE 1/4" = 1'-0"



STEP SECTION A-A

SCALE 1/2" = 1'-0"



ELEVATION

SCALE 1/4" = 1'-0"

AS PER SECTION 8.1, ALL SURFACES WITHIN THE POOL INTENDED TO PROVIDE FOOTING FOR BATHERS HAVE SLIP RESISTING SURFACES

AREA: 157 SQ.FT
PERIMETER: 51 FT
VOLUME: 4800 GAL

PALM BEACH 050 NSPI-5	
SCALE AS NOTED	DATE 05-31-08
DRAWN BY KLB	REVISION 01