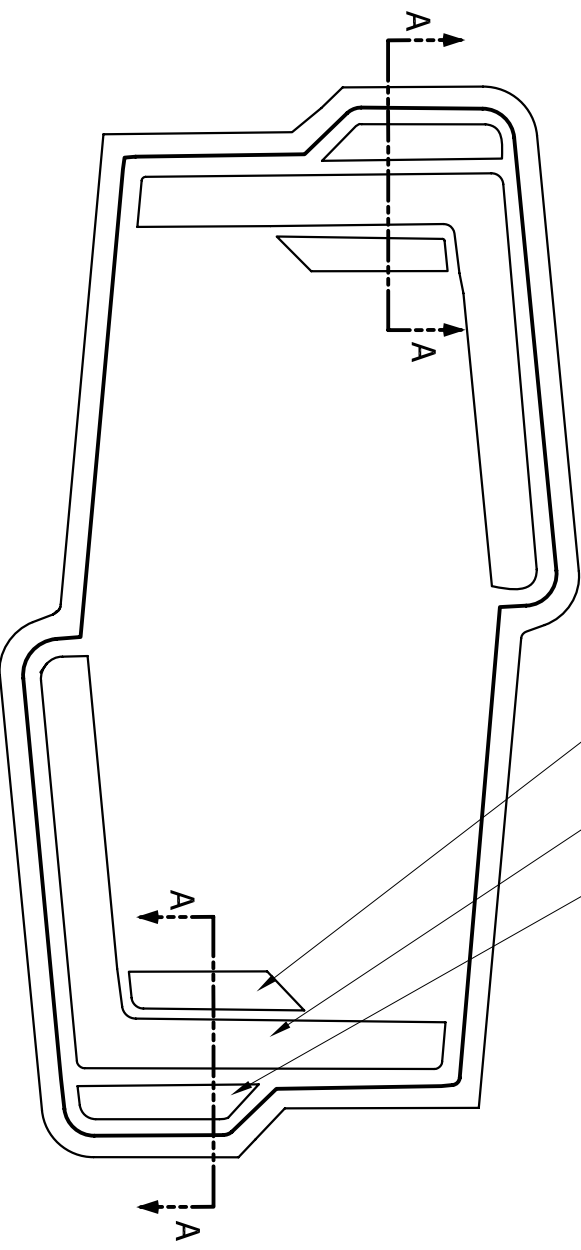
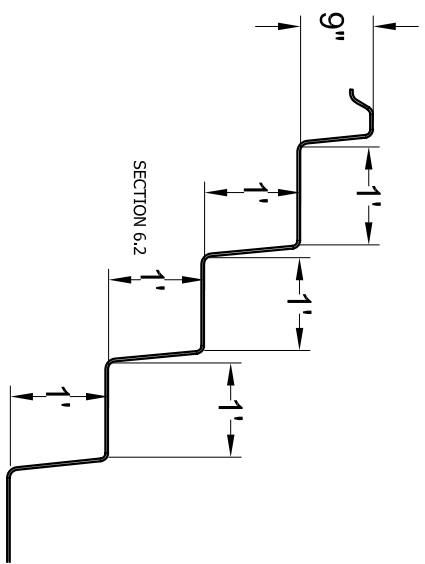


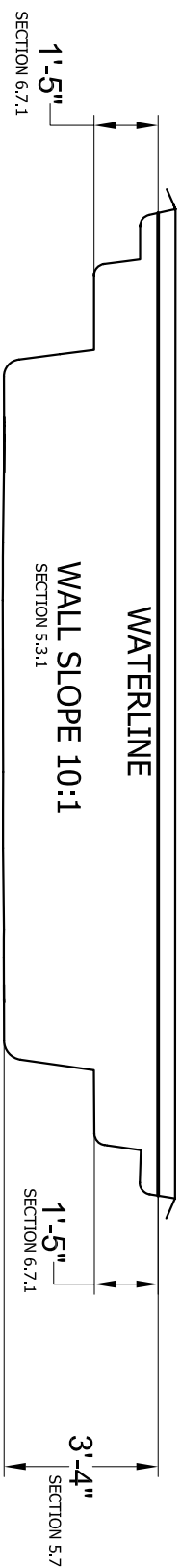
458 SQ IN TREAD SURFACE AREA TYPICAL OF 2
 2000+ SQ IN TREAD SURFACE AREA TYPICAL OF 2
 417 SQ IN TREAD SURFACE AREA TYPICAL OF 2
 SECTION 6.2.1



PLAN VIEW
 SCALE 1/4" = 1'-0"



STEP SECTION A-A
 SCALE 1/2" = 1'-0"



ELEVATION
 SCALE 1/4" = 1'-0"

AREA: 184 SQ. FT.
 PERIMETER: 60 FT.
 VOLUME: 5025 GAL.

AS PER SECTION 8.1, ALL SURFACES WITHIN THE POOL INTENDED TO PROVIDE FOOTING FOR BATHERS HAVE SLIP RESISTING SURFACES

MALIBU 300 NSPI-5	
SCALE AS NOTED	DATE 05-31-08
DRAWN BY KLB	REVISION 01