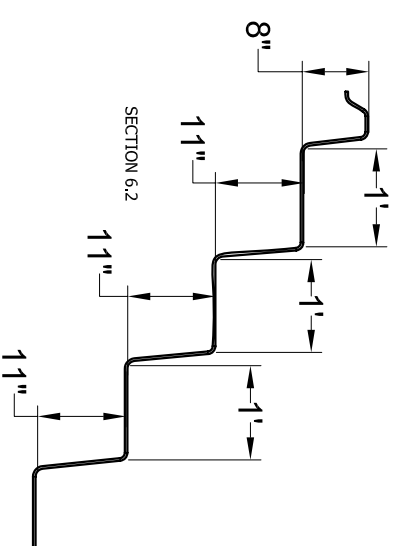


451 SQ IN TREAD SURFACE AREA

SECTION 6.2.1

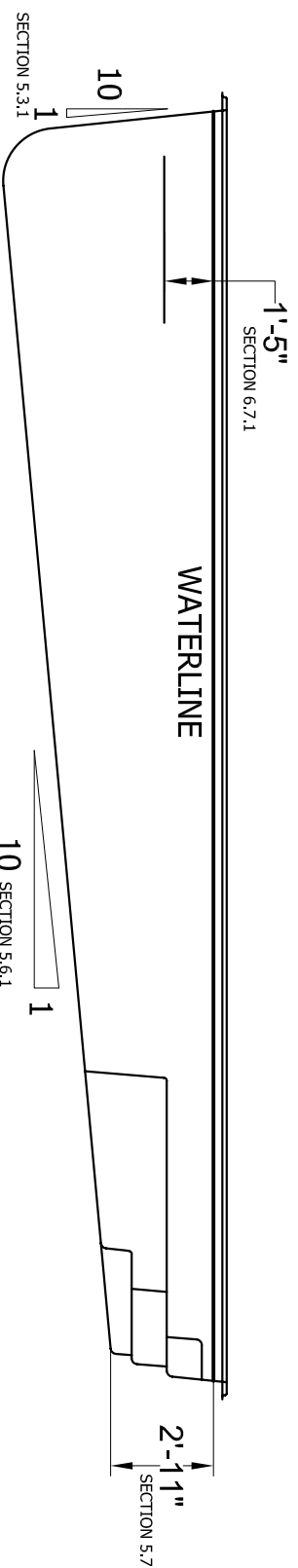
**PLAN VIEW**

SCALE 3/16" = 1'-0"



**STEP SECTION A-A**

SCALE 1/2" = 1'-0"



WATERLINE

**ELEVATION**

SCALE 3/16" = 1'-0"

AREA: 455 SQ. FT.  
PERIMETER: 92 FT.  
VOLUME: 13700 GAL.

AS PER SECTION 8.1, ALL SURFACES WITHIN THE POOL INTENDED TO PROVIDE FOOTING FOR BATHERS HAVE SLIP RESISTING SURFACES

**STARDUST 380 NSPI-5**

SCALE AS NOTED	DATE 05-31-08
DRAWN BY KLB	REVISION 01